

Electric Locks

ML-450M Series

Robust, Fail-Safe & Preload Capable



The ML-450M series electric locks are high performance locks for single/double action swing doors and designed for installation on any type of door and frame. They offer different types of double action latchbolts, allowing deadlocking automatically when the door is closed to be secured for ease of use and convenience.

Preload

The ML-450M series has a robust stainless steel construction and is designed with its high preload release capability. It opens electrically with **up to 500 lbs of preload** that allows smooth operation under varying loads on the doors and overcomes door preload problems, such as air-conditioning pressure, warped doors, or heavy weather stripping seals.

Standard Features

- For single/double action swing doors
- For narrow frames (25 mm wide faceplate)
- Brushed stainless steel construction
- Fail-safe operation
- Horizontal/Vertical installation
- Door/Latch monitor
- For mortise, surface, or glass mounting
- 6 Strike plate options available (For mortise mount models)

Specifications

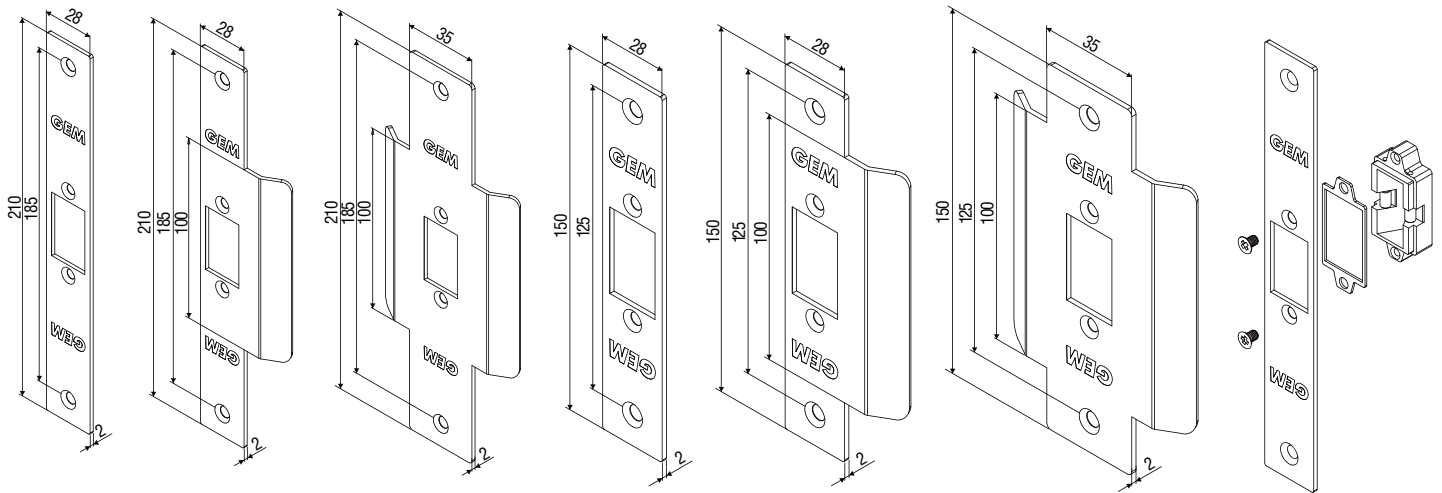
- Operating Voltage: 12~24VAC/DC
- Current Draw: 280mA/12VDC; 180mA/24VDC
- Latch Status Output: 1A/125VAC
- Endurance Rating: 250,000 cycles (Factory tested)
- Preload: 500 lbs of pressure strength

ML-450M Series Models

- ML-450M: Mortise mount
- ML-450MSMB: Surface mount
- ML-450MVGL: Surface mount (for frameless glass doors & walls)

Strike Plate Dimensions

Unit: mm



KP-ML-400-A KP-ML-400-B

KP-ML-400-C

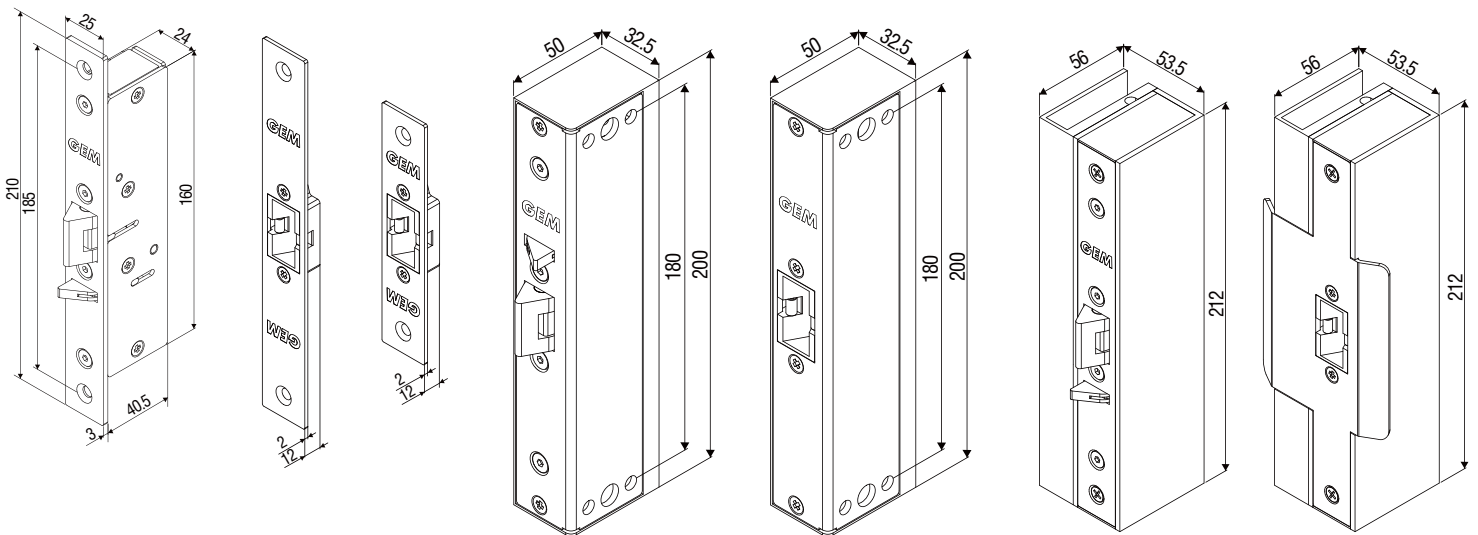
KP-ML-450-A

KP-ML-450-B

KP-ML-450-C

ML-450M Series Dimensions

Unit: mm



ML-450M

ML-450MSMB

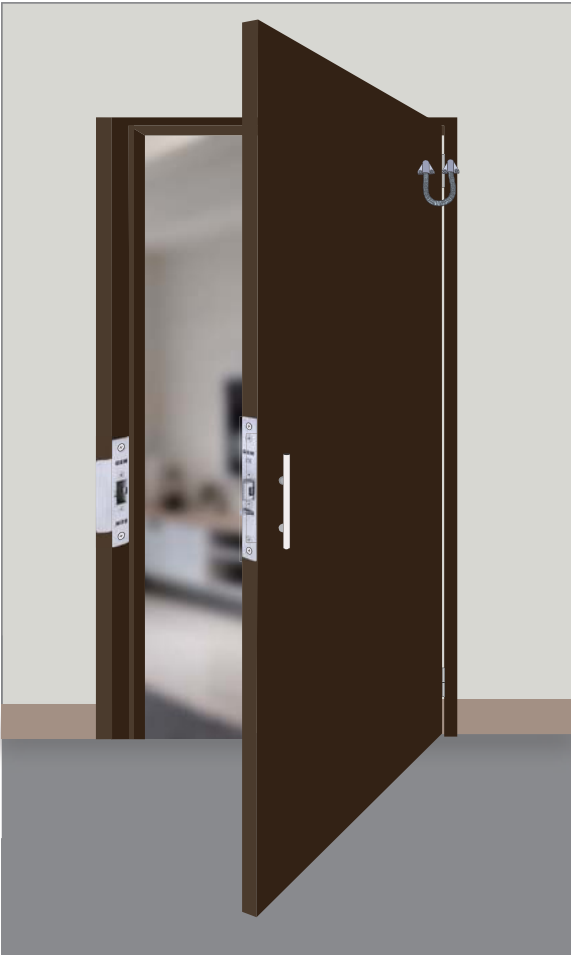
ML-450MVGL

Warranty

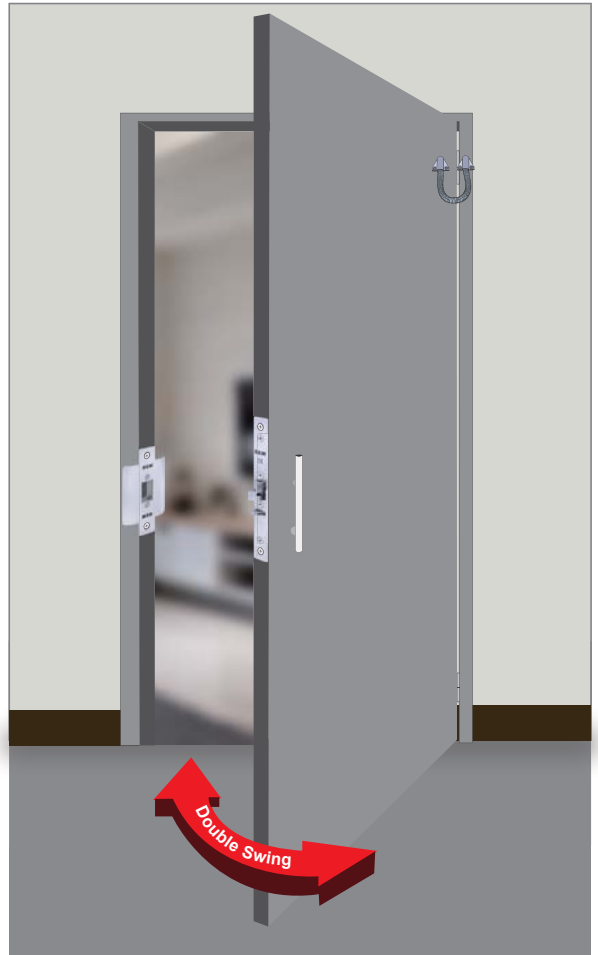
The product is warranted against defects in material and workmanship while used in normal service for a period of 1 year from the date of sale to the original client. The GEM policy is one of continual development and improvement; therefore GEM reserves the right to change specifications without notice.

Installation Diagram

ML-450M: Mortise mount (Single swing)



ML-450M: Mortise mount (Double swing)



ML-450MSMB: Surface mount



ML-450MVGL: Surface mount (for frameless glass doors & walls)

