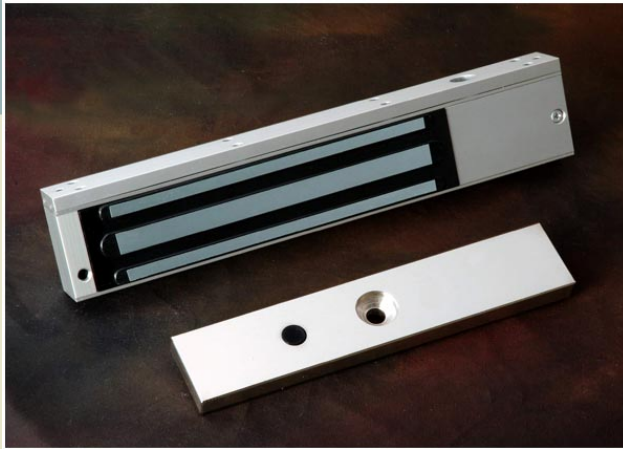




UWC ELECTRIC
SECURITY PRODUCTS

Electromagnetic Locks from UWC ELECTRIC



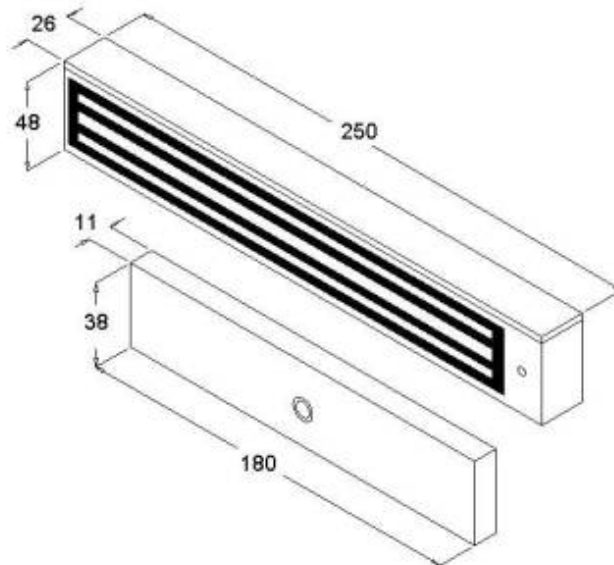
UL275-SL

FEATURES:

- Holding force : 600lb
- Anodized aluminum housing
- Adjustable mounting bracket
- Dual Voltage : 12 or 24 VDC (selectable)
- LED Indicator
- Relay Output
- Bond Sensor

UL275-SL

Magnet Size(mm)	250 x 42 x 26
Armature Size(mm)	180 x 38 x 11
Holding Force	600 lbs
Current Drain	480mA± / 240mA±
Temperature	-10°C to +55°C



ALGATEC®

SECURITY